

BIMETAL THERMOMETER & PRESSURE VACUUM GAUGE

For Oil Filled Distribution Transformer



VI-05 (R1)



BI-METAL THERMOMETER WITHOUT CONTACTS

Dial Size - 80mm/100mm Vertical Mounting on Top Cover

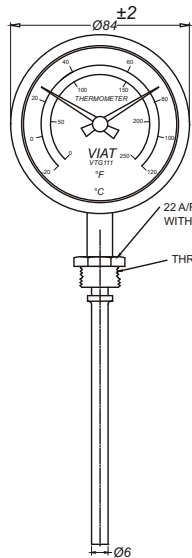
Model : 111/112/116/118



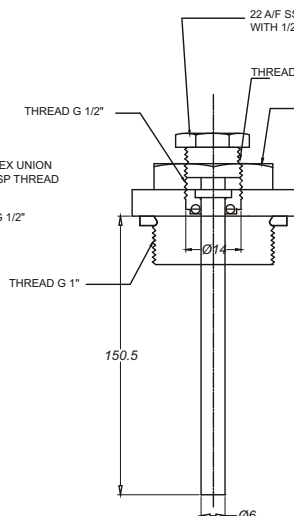
FEATURES

- Accuracy $\pm 2\%$ of full scale.
- Each thermometer is individually calibrated and tested for precise and accurate indication of temperature.
- All stainless steel body and thread provides rugged construction suited for all kind of outdoor applications.
- Resettable maximum temperature indicator.
- Variation of mounting thread and stem length available on demand.
- Sensitive bi-metal helix assures reliable measurement.

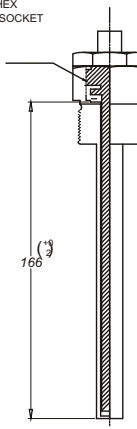
Model - 111 - Dial Size - 80mm



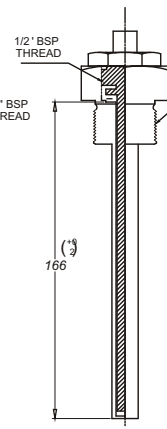
Model 111



Model 111.1
With 1" Adaptor

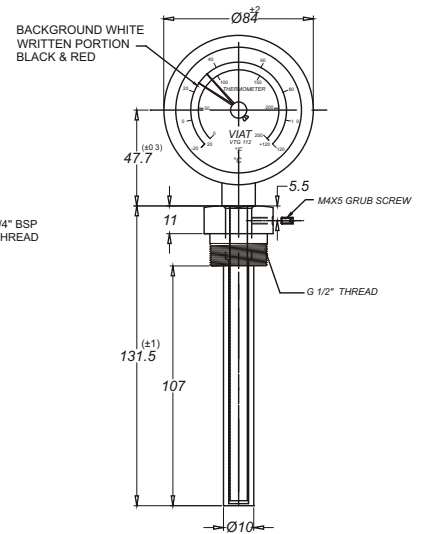


Model 111.4
With 1/2" Well



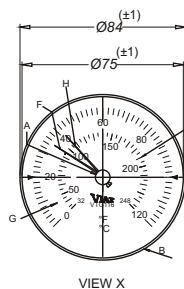
Model 111.5
With 3/4" Well

Model - 112 - Dial Size - 80mm

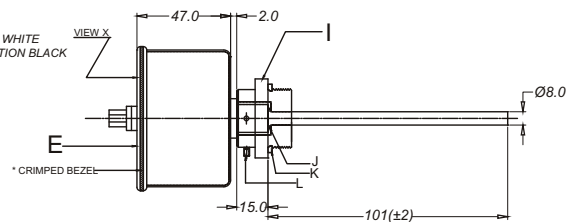


Model - 112
With 1/2" Well

Model - 116 - Dial Size - 80mm



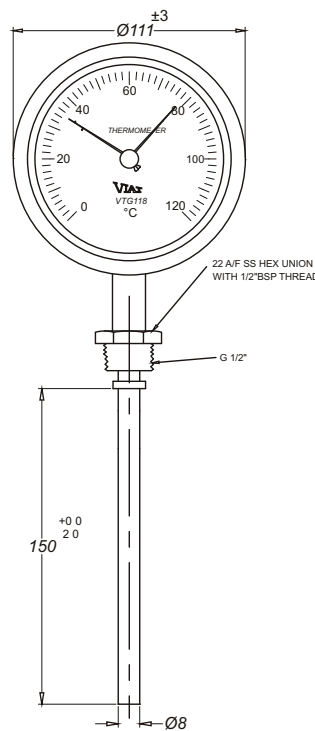
Model - 116



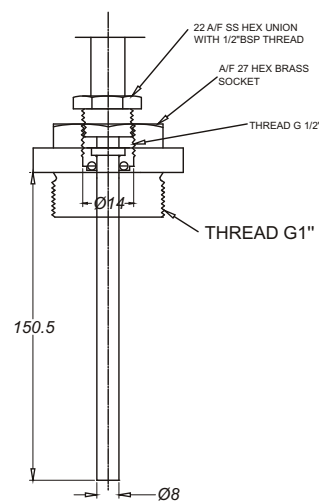
BI-METAL THERMOMETER WITHOUT CONTACTS

Dial Size - 80mm/100mm Vertical Mounting on Top Cover

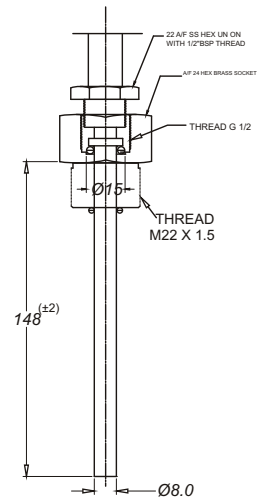
Model : 111/112/116/118



Model - 118.1
Without Adaptor



Model - 118.3
With 1" Adaptor



Model - 118.2
With M22 Adaptor

Model - 118 - Dial Size - 100mm

TECHNICAL SPECIFICATIONS

Operating range : Use 3/4 of full scale,
short time peaks upto the full scale

Measuring range : 0° - 120°C (other range on request)

Accuracy : 2.0% of FSD (DIN 16203)

Mounting : with or without thermowell
adaptors / thermowell of any thread size can be provided.

CONSTRUCTION

Thermowell : Zinc coated Steel / Brass

Heat Sensor : Bimetal spring

Body : Stainless Steel

Sensor Tube : Stainless Steel

Window : Glass/Acrylic

BI-METAL THERMOMETER WITHOUT CONTACTS

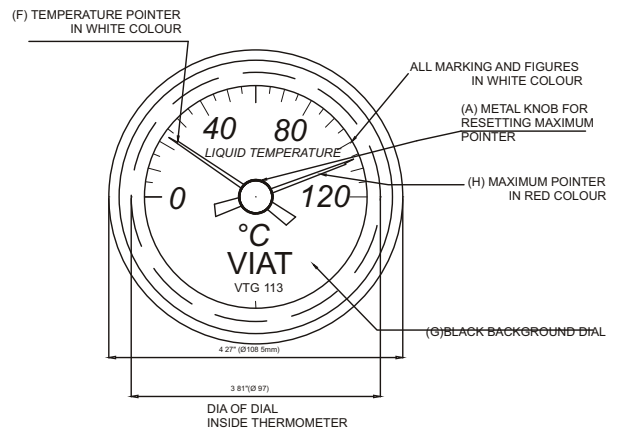
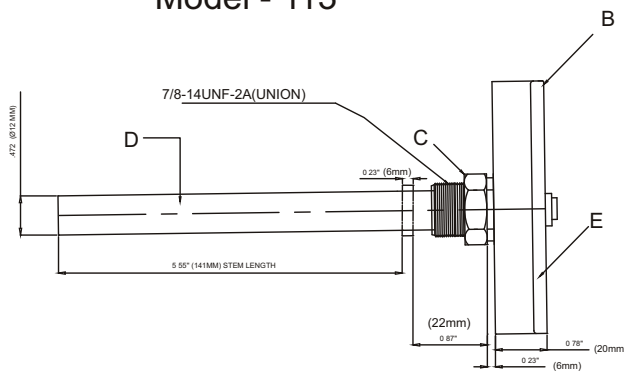
Dial Size - 100mm Horizontal Mounting on Side Wall of Transformer



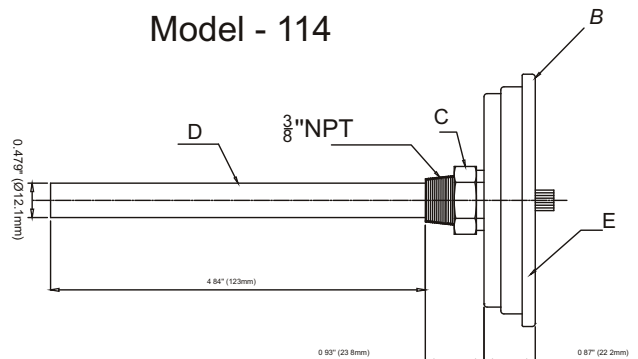
FEATURES

- Accuracy $\pm 2\%$ of full scale.
- Temperature range 0°C to 120°C.
- All stainless steel construction for thermometer.
- Brass well optional.
- Resettable maximum temperature indicator.
- UV stabilized, impact resistant poly-carbonate/glass lens.
- Precise and smooth pointer movement.
- High contrast white marking on black background / black marking on white background.

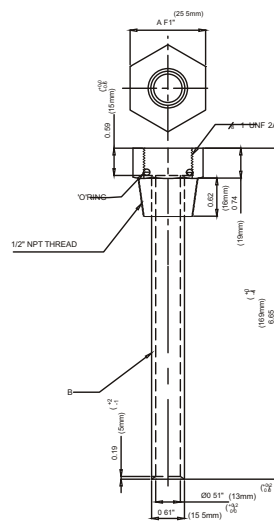
Model - 113



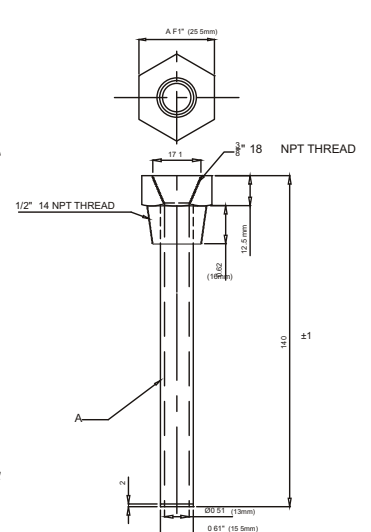
Model - 114



Thermowell for 113



Thermowell for 114

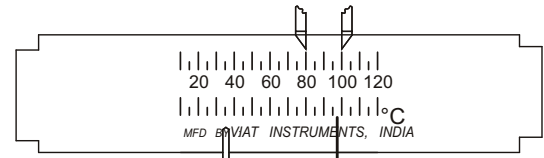
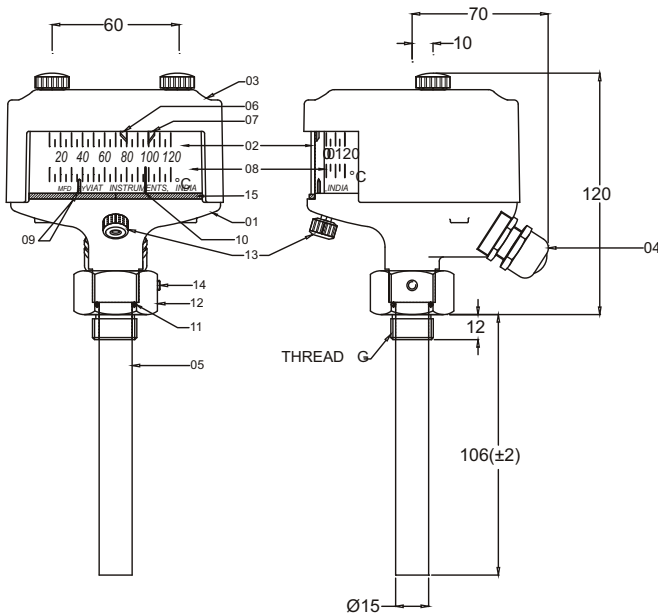


BI-METAL THERMOMETER

With Maximum Pointer, Alarm and Trip Contact. Vertical Mounting

FEATURES

- Available in G 1/2", 3/4" & 1" threading size.
- All Aluminium / Brass body & construction.
- Clear visibility of maximum pointer, temperature needle, alarm and trip contacts setting.
- Easy to mount.
- Optional single contact model.
- Much more economical than conventional type of thermometers.
- 0° - 120°C scale.



Scale

MODEL NO.	THREAD (G)	CHANGE OVER CONTACT
122-21	G 1/2" (ISO: 228)	2
122-22	G 3/4" (ISO: 228)	2
122-23	G 1" (ISO: 228)	2
122-11	G 1/2" (ISO: 228)	1
122-12	G 3/4" (ISO: 228)	1
122-13	G 1" (ISO: 228)	1

PART NO	DESCRIPTION	MATERIAL
01	BODY	ALUMINUM PDC (POWDER COATED)
02	WINDOW	ACRYLIC UV PROTECTED
03	CASE	ALUMINUM ALLOY (POWDER COATED)
04	GLAND FOR FITTING (PG 16)	BRASS / POLYIMIDE
05	STEM	BRASS
06	BLUE (MIN.) TEMPERATURE SET POINTER	STAINLESS STEEL
07	YELLOW (MAX.) TEMPERATURE SET POINTER	STAINLESS STEEL
08	INDICATING SCALE (White Marking With Black Background)	ALUMINIUM
09	WHITE POINTER FOR TEMP. INDICATING	BRASS
10	MAX INDICATING POINTER (COLOR- RED)	STAINLESS STEEL
11	'O' RING	NITRIDE BUTADIENE
12	HEX. ADAPTER	ALUMINIUM (ANODIZED)
13	SET KNOB	BRASS
14	GRUB SCREW	STAINLESS STEEL
15	FLAT RING	NEOPRENE

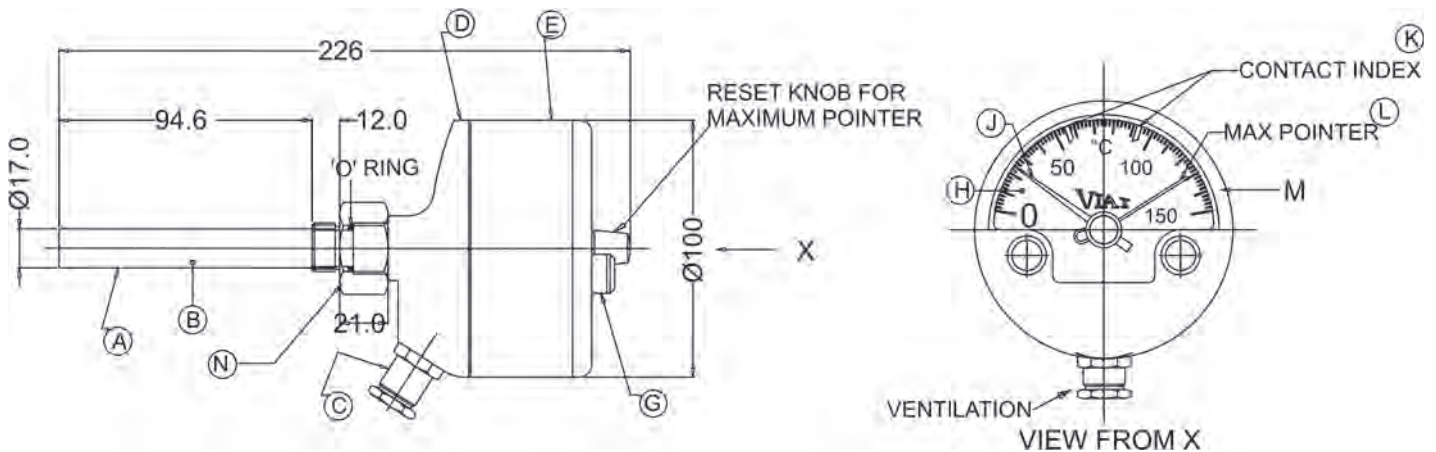
BI-METAL THERMOMETER

With Maximum Pointer, Alarm and Trip Contact. Horizontal Mounting



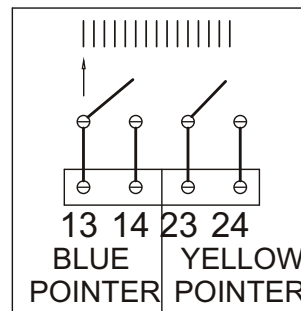
FEATURES

- Available in G $\frac{3}{4}$ " & 1" threading.
- All Aluminium / Brass body & construction.
- Measuring range 0-150°C.
- Clear visibility of contacts & needles.
- Optional single contact.
- Easy connection of wires.
- Optional SS 316 casing.



LIST OF MATERIAL		
PART	DESC.	MATERIAL
A	PROBE	SS 304 SEAMLESS TUBE
B	BI METAL COIL	BI METAL
C	GLAND (Pg16)	BRASS WITH NICKEL PLATING
D	BODY	ALUMINIUM PDC WITH POWER COATED
E	COVER	ALUMINIUM SHEET WITH POWDER COATED
F	KNOB	BRASS NICKEL PLATED
G	RETAINER KNOB	BRASS NICKEL PLATED
H	DIAL	BLACK BACKGROUND.
J	POINTER	BRASS WHITE POWDER COATED
K	CONTACT INDEX	BRASS (YELLOW & BLUE) POWDER COATED
L	MAX POINTER	SS 304 WIRE WITH RED POWDER COATED
M	VIEWING WINDOW	UV STABILIZED POLYCARBONATE
N	HEX ADAPTER	BRASS

Switching



MODEL NO.	THREAD (G)
123-1	G $\frac{3}{4}$ " (ISO: 228)
123-2	G 1" (ISO: 228)

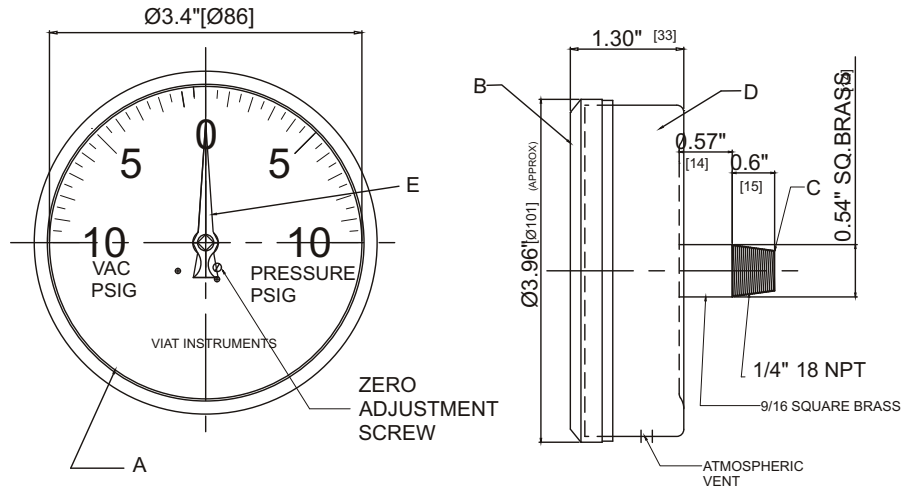
Technical Specifications

Operating range : 0° - 150°C
 Mounting : G $\frac{3}{4}$ ", 1"
 Accuracy : $\pm 3^\circ\text{C}$
 Switch rating : 5 Amps 250V AC
 0.3 Amps 110 V DC
 Protection Class: IP 55
 Insulation : 2KV for 1Minute

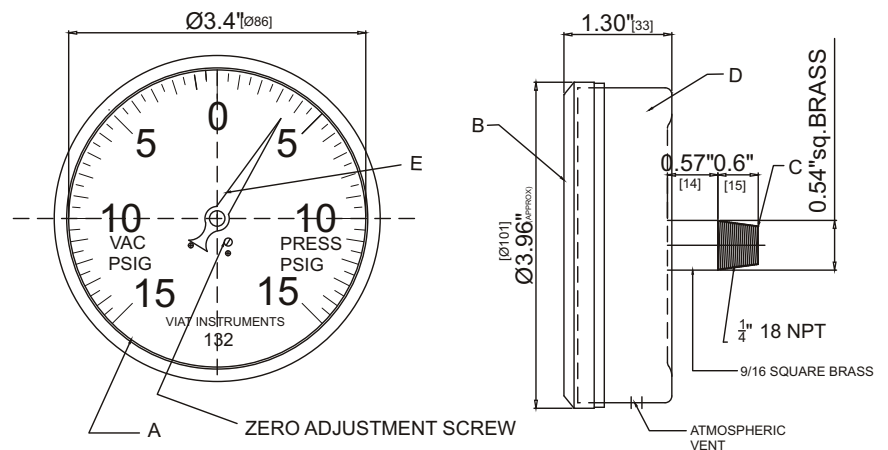
PRESSURE VACUUM GAUGE WITHOUT CONTACTS

Thread Size : 1/4" NPT

Model 131 Without Contacts. Range - ±10psi



Model 132 Without Contacts. Range - ±15psi



Technical Specifications

Accuracy : ±3°C

Construction

Casing : Stainless Steel

Dial : Aluminium

Lens : Toughened Glass / Acrylic

PRESSURE VACUUM GAUGE WITH CONTACTS

Thread Size : G $\frac{1}{2}$ "

Model 133 With Contacts. Range - +1.5 to -1 bar

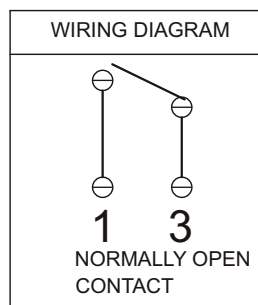
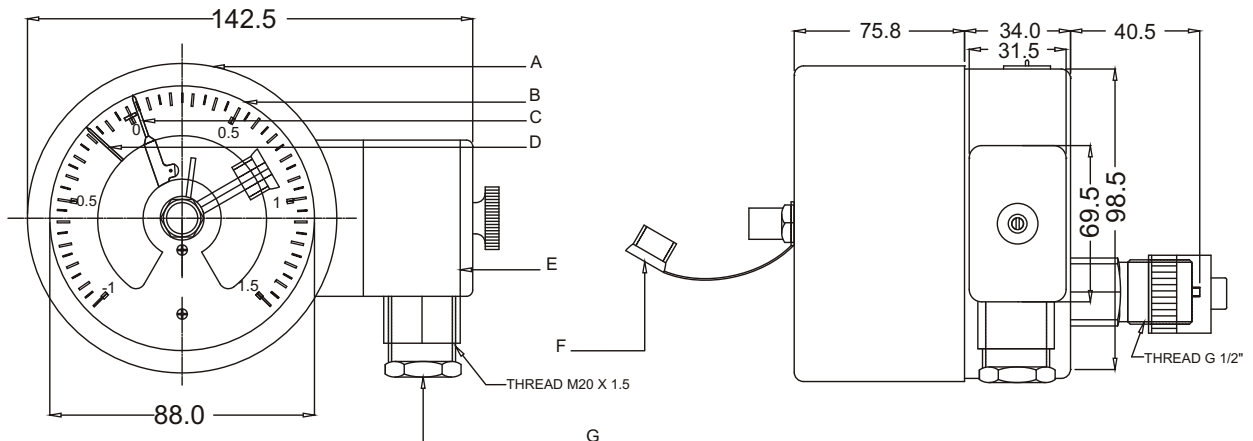


Construction

Casing : Stainless Steel
Dial : Aluminium
Lens : Toughened Glass / Acrylic

Technical Specifications

Accuracy : $\pm 3^{\circ}\text{C}$
Thread : 133 - G $\frac{1}{2}$ "
Contacts : Single / Double



NO	SWITCH SPECIFICATION	
01	CONTACT	SINGLE, NORMALLY OPEN
02	MAX. VOLTAGE	AC - 330V DC - 220V
03	MAX. CURRENT	1 AMP.
04	TERMINAL PROTECTION	IP 55
05	MAX. POWER	30 VA

Due to our policy of continuous product improvement, dimensions and designs are subject to change.

VIAT
INSTRUMENTS

VIAT INSTRUMENTS PVT. LTD.

2701 to 2704, Shilpangan Phase-II, Block LB-1
Sector-III, Salt Lake, Kolkata - 700 098, INDIA
Phones : (91-33) 9903805104, 23352925 ● Fax : (91-33) 23352926
E-mail : viatin@viatin.com ● Website : www.viatin.com

VIAT AMERICA, INC.

30 Shepard, Irvine, CA 92620
Tel: 949-679-0950 Fax: 949-417-1358
E-mail : sales@viatamerica.com
Website : www.viatamerica.com