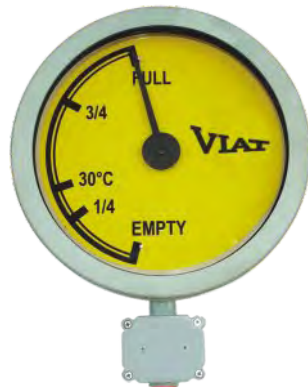


MAGNETIC OIL LEVEL GAUGES

With Contacts For Oil Filled Distribution & Power Transformers



VIAT

INSTRUMENTS

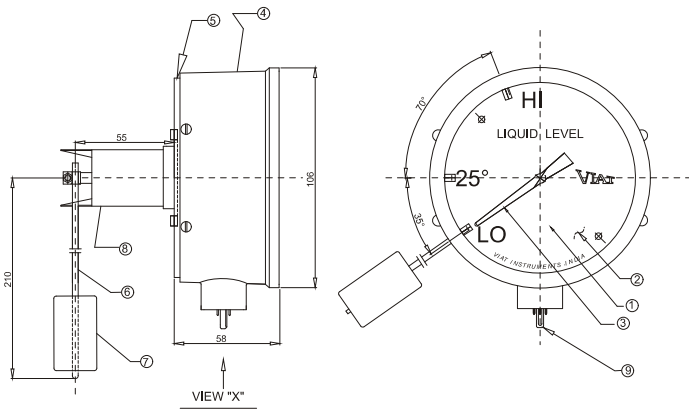
VI-07 (R0)



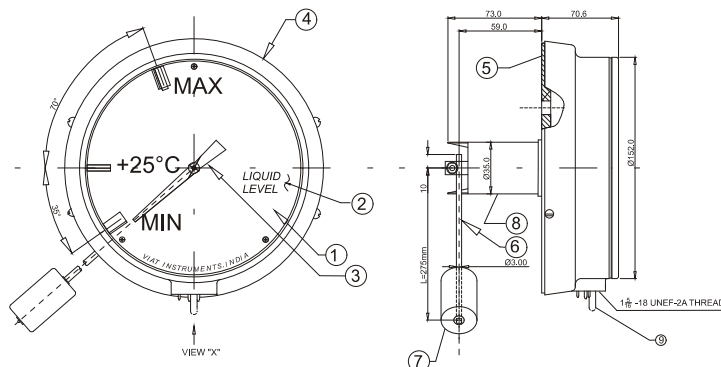
MAGNETIC OIL LEVEL GAUGES WITH CONTACTS

Dial Size - 3.5" (100mm) and 6" (150mm)
405/406 Series With Radial Float Movement. Plug In Connection

3.5" With Plug In Connector



6" With Plug In Connector



FEATURES

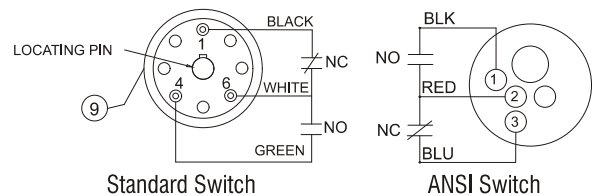
- Clamp arrangement for holding float rod.
- Nitrophenyl® floats and Honeywell make precision micro switches.
- Rare earth magnet coupling for precision pointer movement.
- Precision switch setting for accurate operation of switch versus level in tank.
- Mounting dimensions to customer requirement optional.
- Plug in or terminal type switch.
- Switch options- low/ low and high/ low and very low.
- Customized dial.

Material List

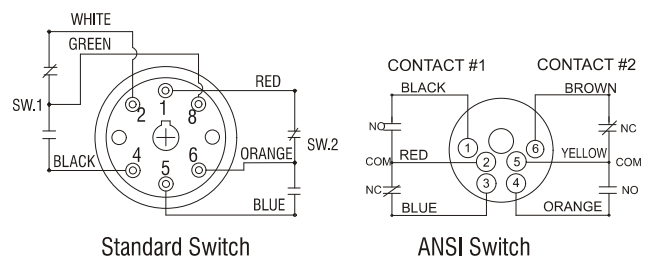
SL NO.	NAME	MATERIAL
1	DIAL	WHITE CHARACTERS, BLACK BACKGROUND
2	LENS	GLASS TOUGHENED / POLYCARBONATE
3	POINTER	ALUMINIUM, WHITE POWDER COATED
4	BODY	ALUMINIUM PRESSURE DIE CASTING, POWDER COATED LT GRAY ASA70/RAL 7035
5	FLANGE	ALUMINIUM PRESSURE DIE CASTING
6	FLOAT ROD	PHOSPHOR BRONZE
7	FLOAT	NITROPHYL® OD 32.5 & LENGTH 70
8	SUPPORT TUBE	BRASS
9	CABLE CONNECTOR	SILICON BLACK RUBBER

Switch Options

Single Switch



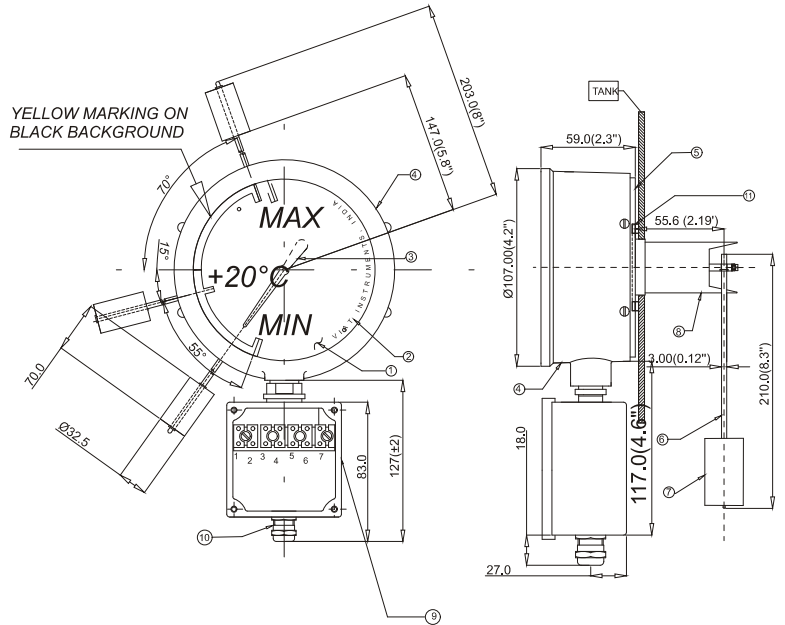
Double Switch



MAGNETIC OIL LEVEL GAUGES WITH CONTACTS

Dial Size - 3.5" (100mm) and 6" (150mm)
405/406 Series With Radial Float Movement. Terminal Box Connection

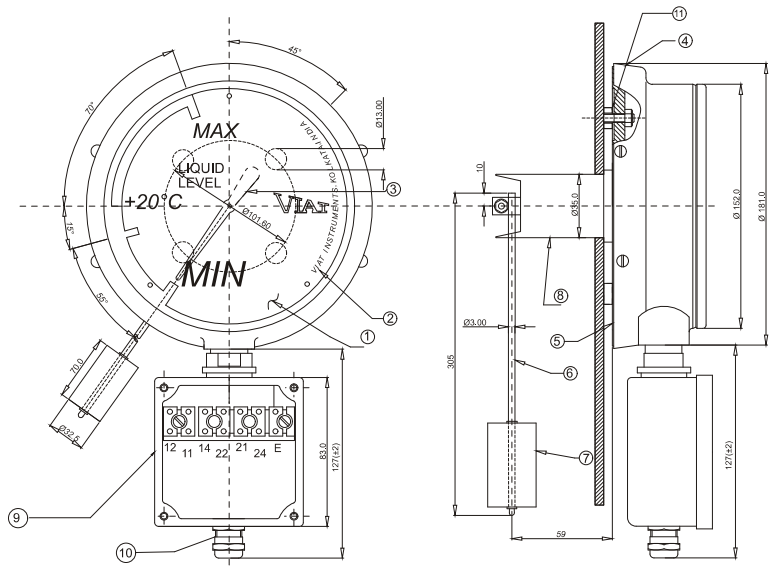
3.5" With Terminal Box



Material List

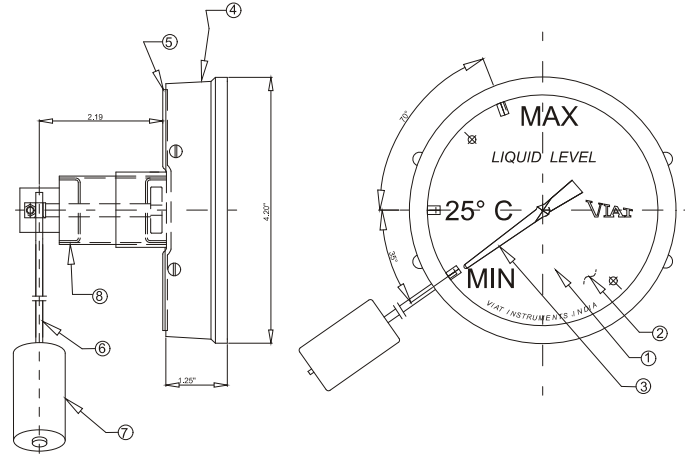
SL NO.	NAME	MATERIAL
1	DIAL	YELLOW CHARACTERS, BLACK BACKGROUND
2	LENS	GLASS TOUGHENED / POLYCARBONATE
3	POINTER	ALUMINIUM, WHITE POWDER COATED
4	BODY	ALUMINIUM PRESSURE DIE CASTING, ASA70 LIGHT GRAY EPOXY / RAL 7035
5	FLANGE	ALUMINIUM PRESSURE DIE CASTING
6	FLOAT ROD	PHOSPHOR BRONZE
7	FLOAT	NITROPHYL®
8	SUPPORT TUBE	BRASS
9	CONNECTION BOX	ALUMINIUM
10	CABLE GLAND M20*1.5	BRASS. OPTIONAL M25*1.5
11	RUBBER GASKET FOR FLANGE MOUNTING	NBR

6" With Terminal Box

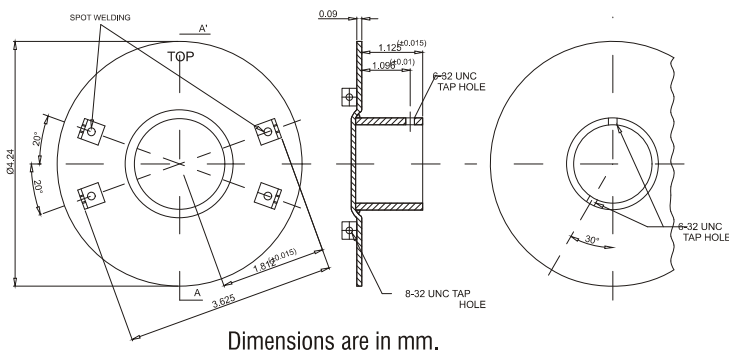


MAGNETIC OIL LEVEL GAUGES WITHOUT CONTACTS

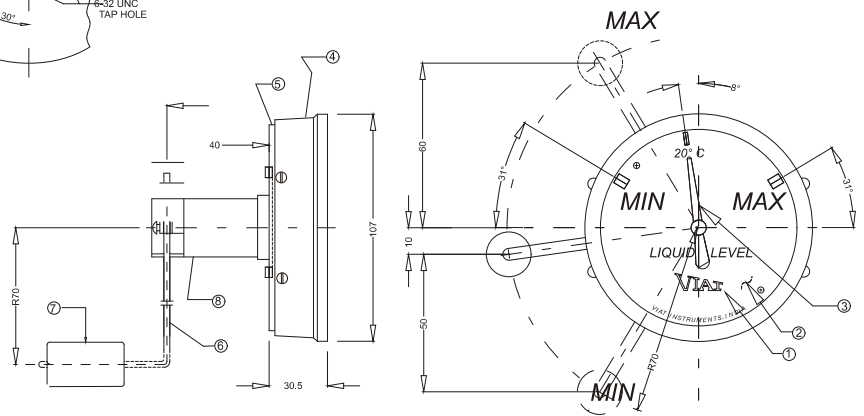
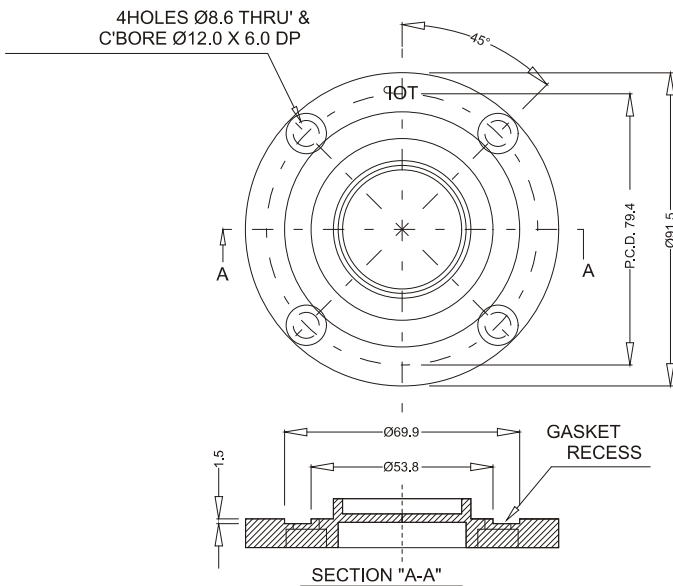
Dial Size - 3.5" (100mm)
407 Series With Radial Float Movement



SS Weld On Flange



Aluminium Bolt On Flange



Material List

SL NO.	NAME	MATERIAL
1	DIAL	WHITE CHARACTERS, BLACK BACKGROUND YELLOW CHARACTERS, RED BACKGROUND
2	LENS	POLYCARBONATE U.V. STABILISED
3	POINTER	ALUMINIUM, WHITE/YELLOW POWDER COATED
4	BODY	ALUMINIUM PRESSURE DIE CASTING, POWDER COATED LIGHT GRAY ASA70 / RAL 7035
5	FLANGE	SS 304 / ALUMINIUM ALLOY
6	FLOAT ROD	PHOSPHOR BRONZE
7	FLOAT	NITROPHYL®
8	SUPPORT TUBE	BRASS

MAGNETIC OIL LEVEL GAUGES WITH CONTACTS

Dial Size - 100mm and 140mm
408 Series With Radial Float Movement



FEATURES

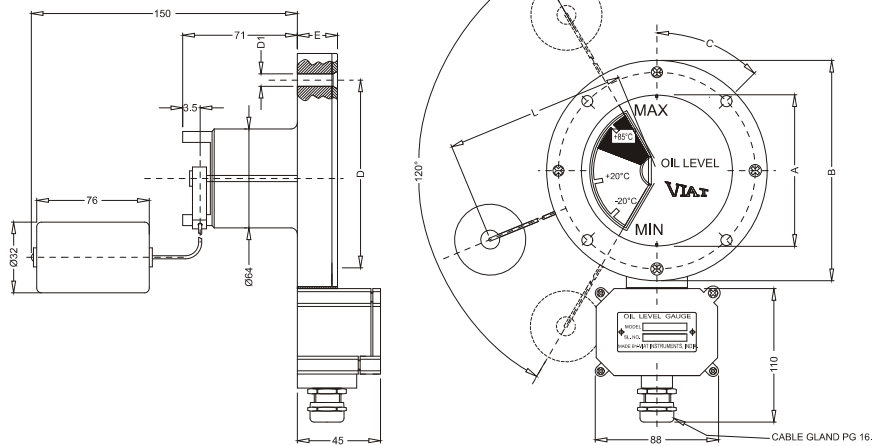
- Nitrophyl® floats.
- Rare earth magnets for perfect coupling.
- Omran make switches.
- Customized dial.
- Switch options low/ low & high/ low& very low.
- Precise calibration for pointer and switches.

Dimension

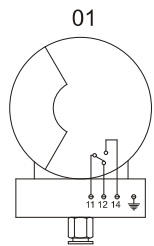
TYPE	A(Ø)	B(Ø)	C	N	D(Ø)	D1(Ø)	E	F	L
M 100	65	103	45°	4	85	7.5	22	185	290
M 140	100	140	30°	6	125	7.5	22	225	290

NOTE :- " N " FOR NUMBER OF MOUNTING HOLES.

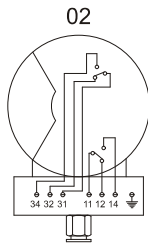
Note : XXX = Type 100 or 140;
(Example : M 100 with min. contact is 408.100.01 & M140 with min. contact is 408.140.01.)



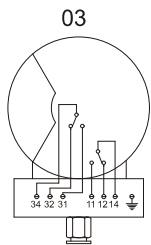
ELECTRICAL CONTACT DETAILS



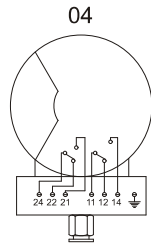
(Min cont.)



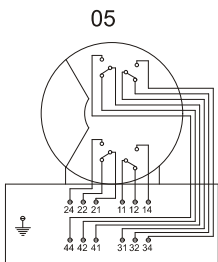
(Min & Max cont.)



Double Minimum cont.
(alarm & trip)



Double MIN cont.
(Simultaneously)



Double MIN cont. + Double MAX cont.

SL. NO.	MODEL	SWITCHING CONTACT
1	408.XXX.01	MINIMUM ONLY
2	408.XXX.02	MINIMUM & MAXIMUM
3	408.XXX.03	DOUBLE MINIMUM (ALARM & TRIP)
4	408.XXX.04	DOUBLE MINIMUM (SIMULTANEOUS)
5	408.XXX.05	DOUBLE MINIMUM & DOUBLE MAXIMUM

Material List

SL. NO.	DESCRIPTION	SPECIFICATION
1	OPERATING TEMPERATURE	WITHSTAND OIL TEMPERATURE OF -25°C TO 100°C
2	SWITCH SET POINT	2° TO 5° ADVANCED TO THE MINIMUM OR MAXIMUM LEVEL OVERLAP AT MIN OR MAX LEVEL IS 5° ANGULAR
3	GROUND INSULATION TEST	TESTED AT 2KV A.C.(50Hz) FOR 1MIN. BETWEEN GAUGE HOUSING & THE ELECTRIC CIRCUIT & BETWEEN TWO INDEPENDENT CIRCUITS
4	PROTECTION	IP 55
5	SURFACE PROTECTION	POWDER COATING EXCEPT BACK PART(INSIDE PORTION OF TANK)

NOTE: SPECIAL DIAL MARKING AND GLAND THREADS ON REQUEST.

MAGNETIC OIL LEVEL GAUGES WITH CONTACTS

Dial Size - 100mm and 150mm 409 Series With Axial Float Movement

Model - SO-4 - 100mm

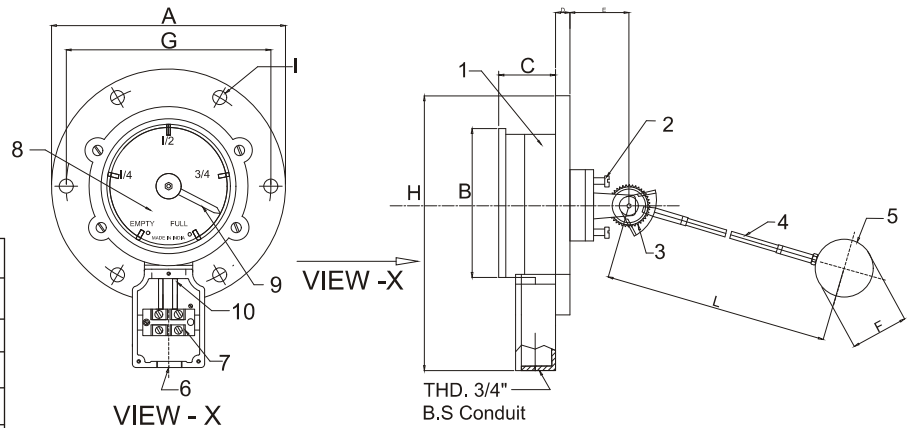


FEATURES

- Switch option- low/ low&high/ low& very low.
- Nitrophyl® float.
- Pinion & gear type arrangement for axial float movement.
- Honeywell make micro switch.
- Adjustable float arm length.
- Vertical / Inclined mounting.

Parts List

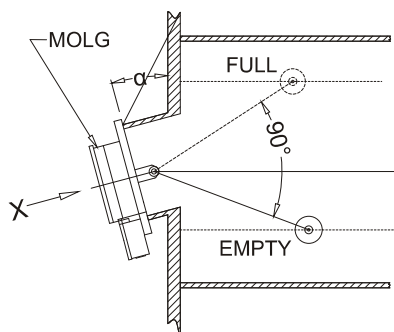
SL.NO.	DESCRIPTION	MATERIAL/MAKE	QTY.
1.	MAIN BODY	AL. ALLOY	1
2.	LIMIT STOPPER	ALUMINIUM	2
3.	LEVER WITH GEAR	BRASS	1
4.	FLOAT-ARM	BRASS	1
5.	FLOAT	NITROPHYL	1
6.	HOLE FOR CABLE GLAND	3/4" B.S.C.	1
7.	CONNECTOR	ESSEN	1
8.	MICRO SWITCH	HONEYWELL	1
9.	DIAL WITH POINTER	ALUMINIUM	1
10.	CONNECTING WIRE	FINOLEX	2



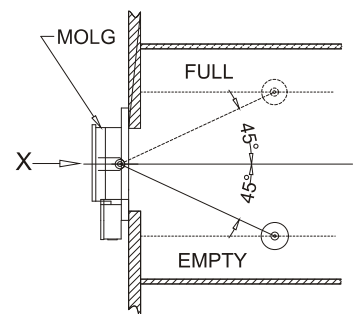
MODEL SIZE	DIAL	A	B	C	D	E	F	G	H	I (Mounting hole)	WEIGHT IN (Kg)
SO-4	100	Ø190	Ø125	42	12	45	Ø50	Ø165	248	6 Holes Ø12	1.6
SO-6	150	Ø234	Ø195	42	12	50	Ø50	Ø209.7	295	8 Holes Ø13	2.2

ALL DIMENSIONS ARE IN MM

Model - SO-6 - 150mm



INCLINED MOUNTED $\alpha = 15^\circ$ OR 30°



VERTICAL MOUNTED

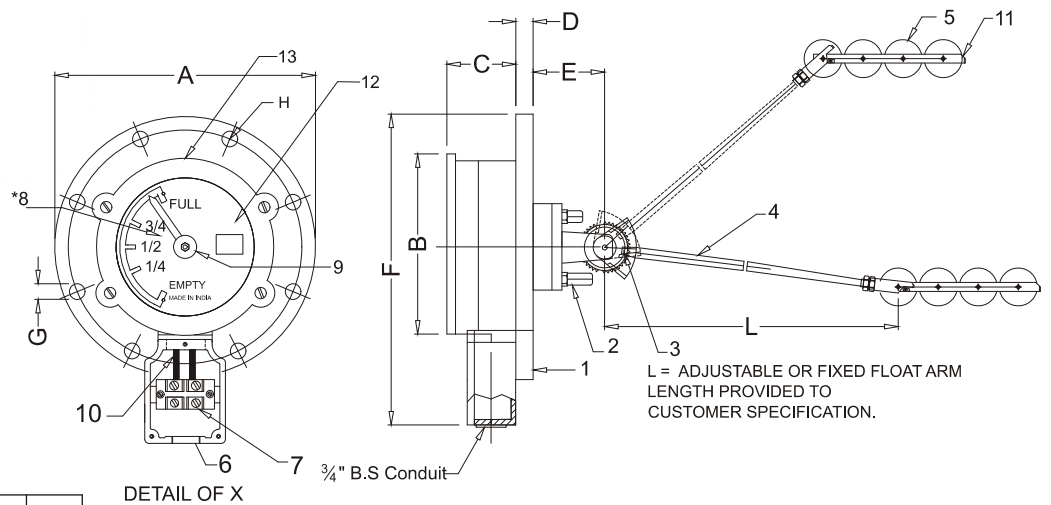
MAGNETIC OIL LEVEL GAUGES WITH CONTACTS

Dial Size - 150mm Model SO-6 ATMS For Conservator With Air Bag



FEATURES

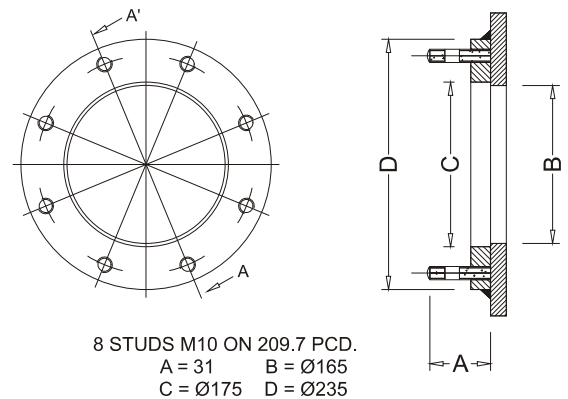
- Roller type Nitrophenyl® float assembly.
- Fixed float arm length based on conservator dia.
- Customized dial & calibration possible.
- Switch option- low/ low&high/ low& very low.
- Vertical / Inclined mounting.



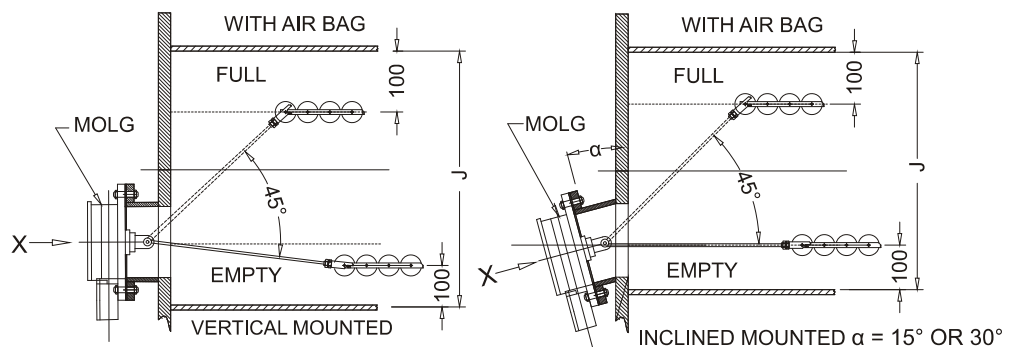
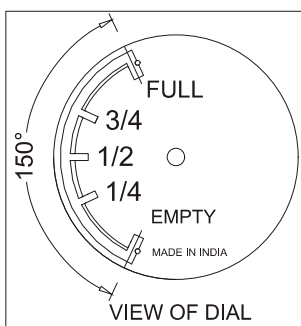
Parts List

SL.NO.	DESCRIPTION	MATERIAL/MAKE	QTY.
1.	MAIN BODY	AL. ALLOY	1
2.	LIMIT STOPPER	ALUMINIUM	1
3.	LEVER WITH GEAR	BRASS	2
4.	FLOAT-ARM (Ø9.5 PIPE)	SS	1
5.	SFT (FLOAT) Ø50	NITROPHYL	4
6.	HOLE FOR CABLE GLAND	¾" B.S.C.	1
7.	CONNECTOR	ESSEN	1
8.	MICRO SWITCH	HONEYWELL	1
9.	DIAL WITH POINTER	ALUMINIUM	1
10.	CONNECTING WIRE	FINOLEX	2
11.	BRACKET FOR FLOAT	SS	1
12.	DIAL	ALUMINIUM	1
13.	RING	AL. ALLOY	1
14.	HARDWARE ITEM USED ON EXTERIOR OF MOG	SS	AS REQD.

DETAILS OF MOUNTING PADS

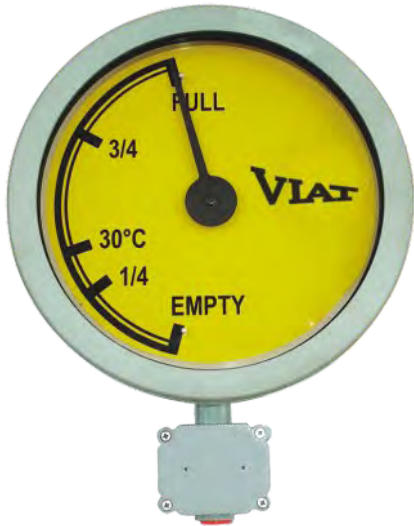


DETAIL OF DIAL



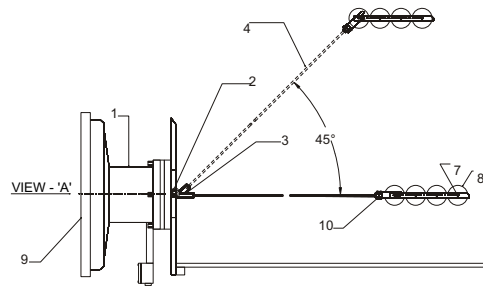
MAGNETIC OIL LEVEL GAUGES WITH CONTACTS

Dial Size - 250mm Model SO-10 ATMS Axial Float Movement Suitable For Conservator With Air Bag

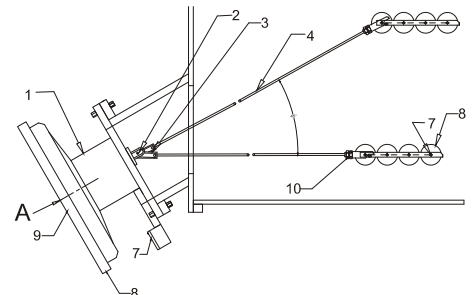


FEATURES

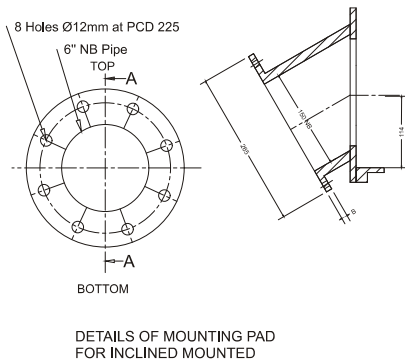
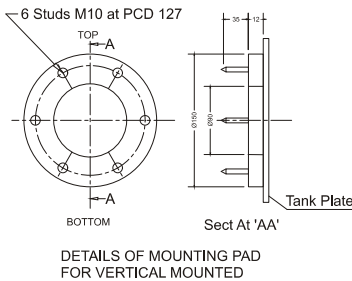
- Roller type Nitrophyll® float assembly.
- Fixed float arm length based on conservator dia.
- Customized dial & calibration possible.
- Switch option- low/ low&high/ low& very low.
- Vertical/ Inclined mounting.



OIL LEVEL INDICATOR VERTICAL MOUNTED



OIL LEVEL INDICATOR INCLINED MOUNTED



Parts List

Sl. No.	Description	Material
01	Housing	Cast Aluminium
02	Mounting Pad	M.S.
03	Gear Base	Cast Aluminium
04	Lever With Gear	Brass
05	Split Pin	S.S
06	Float Arm	S.S.
07	Bracket For Float	S.S.
08	Roller Float	Nitrophyll®
09	Terminal Box With Cover	Cast Aluminium
10	Ring For Glass	Cast Aluminium

NOTE : Nitrophyll® is a registered trademark of Rogers Corporation, USA.

Due to our policy of continuous product improvement, dimensions and designs are subject to change.

VIAT
INSTRUMENTS

VIAT INSTRUMENTS PVT. LTD.

2701 to 2704, Shilpangan Phase-II, Block LB-1
Sector-III, Salt Lake, Kolkata - 700 098, INDIA
Phones : (91-33) 9903805104, 23352925 ● Fax : (91-33) 23352926
E-mail : viatin@viatin.com ● Website : www.viatin.com

VIAT AMERICA, INC.

30 Shepard, Irvine, CA 92620
Tel: 949-679-0950 Fax: 949-417-1358
E-mail : sales@viatamerica.com
Website : www.viatamerica.com